

LC Range

Cubic
cooling units



Power range
16-138 kW

 Ideal for fresh-product cellars

 It maintains a high moisture degree

 Version for CO₂ and glycol

 Three fin separations that allow for a broad power range

Technical Specifications

Coil: Manufactured in 1/2" staggered tube, and aluminum fins with 4.5 mm, 7 mm, and 10 mm separation. With high ratio of finned surface that allows for a high humidity level in cellar.

Bodywork: Manufactured entirely with white lacquered aluminum with kiln-cooked epoxy polyester. Stainless steel mounting hardware. Threaded and angle-welded aluminum drain that prevents leaks and breaks and reduces space in cellar. Drip pan between coil and Bodywork: . Spacing between fans; each fan works on its corresponding coil section, thus avoiding air bypass effect. The air cooler is supplied standing, packed in a top-opening wooden crate leaving the air cooler free on the pallet, so as to easily lift it and screw it to the ceiling.

Defrost: With stainless steel-armored electric resistors and watertight housing, connected to standard IP54 junction box.

Fans: External rotor, three-phase, with 500 y 630 mm diameters. 400v 50/60Hz. Connected to IP54 junction box. Protected with grating as per 2006/42/EC regulations.

Options

- Coil with Blygold treatment
- Expansion valve
- Electric resistors in fan
- Hinged fans on 630 mm diameter models
- Adjustment to textile duct
- Single-phase motors
- Electronics EC motors
- Electric defrosting only on pan
- Water defrosting
- Isolated pan
- Glycol version
- CO₂ version



**80 kW Evaporator for
ice rink inside a glass igloo
in a Tel Aviv mall (Israel)**

Technical data

Fin spacing = 4,5 mm	Model	Capacity				Area (m ²)	Volume (dm ³)	Fans					Weight (kg)
		Standard Conditions EN328 R404A		Propylene Glycol 30% DP=50 kPa Tc=12°C T _{IN Glycol} =0°C				Air throw (m)	Air Flow (m ³ /h)	N° x Ø	A	W	
		SC1 (kW)	SC2 (kW)	P (kW)	Q (l/h)								
LC173A	23,3	16,0	17,9	4.100	80,0	14,4	48	7.500	1 x 500	1,4	720	85	
LC210A	28,2	19,4	26,7	7.250	106,6	18,8	46	7.000	1 x 500	1,4	720	99	
LC347A	46,7	31,9	36,8	8.800	159,9	27,5	48	15.000	2 x 500	2,8	1.440	159	
LC421A	56,5	38,7	45,1	11.500	213,3	36,6	46	14.000	2 x 500	2,8	1.440	187	
LC520A	69,9	47,9	56,5	13.600	239,9	41,2	48	22.500	3 x 500	4,2	2.160	237	
LC631A	84,8	58,1	69,9	18.150	319,4	54,4	46	21.000	3 x 500	4,2	2.160	279	
LC694A	93,2	63,8	-	-	319,9	54,6	48	30.000	4 x 500	5,6	3.320	314	
LC755A	100,9	69,1	100,0	26.250	418,0	61,8	47	28.000	2 x 630	6,8	3.940	363	
LC842A	113,1	77,4	67	15.500	426,5	72,2	46	28.000	4 x 500	5,6	3.320	371	
LC976A	133,4	91,3	-	-	470,2	69,5	49	43.500	3 x 630	10,2	5.910	441	
LC1131A	153,3	105,0	-	-	626,9	92,7	47	42.000	3 x 630	10,2	5.910	526	
LC1478A	202,1	138,3	-	-	835,9	123,6	47	56.000	4 x 630	13,6	7.880	684	

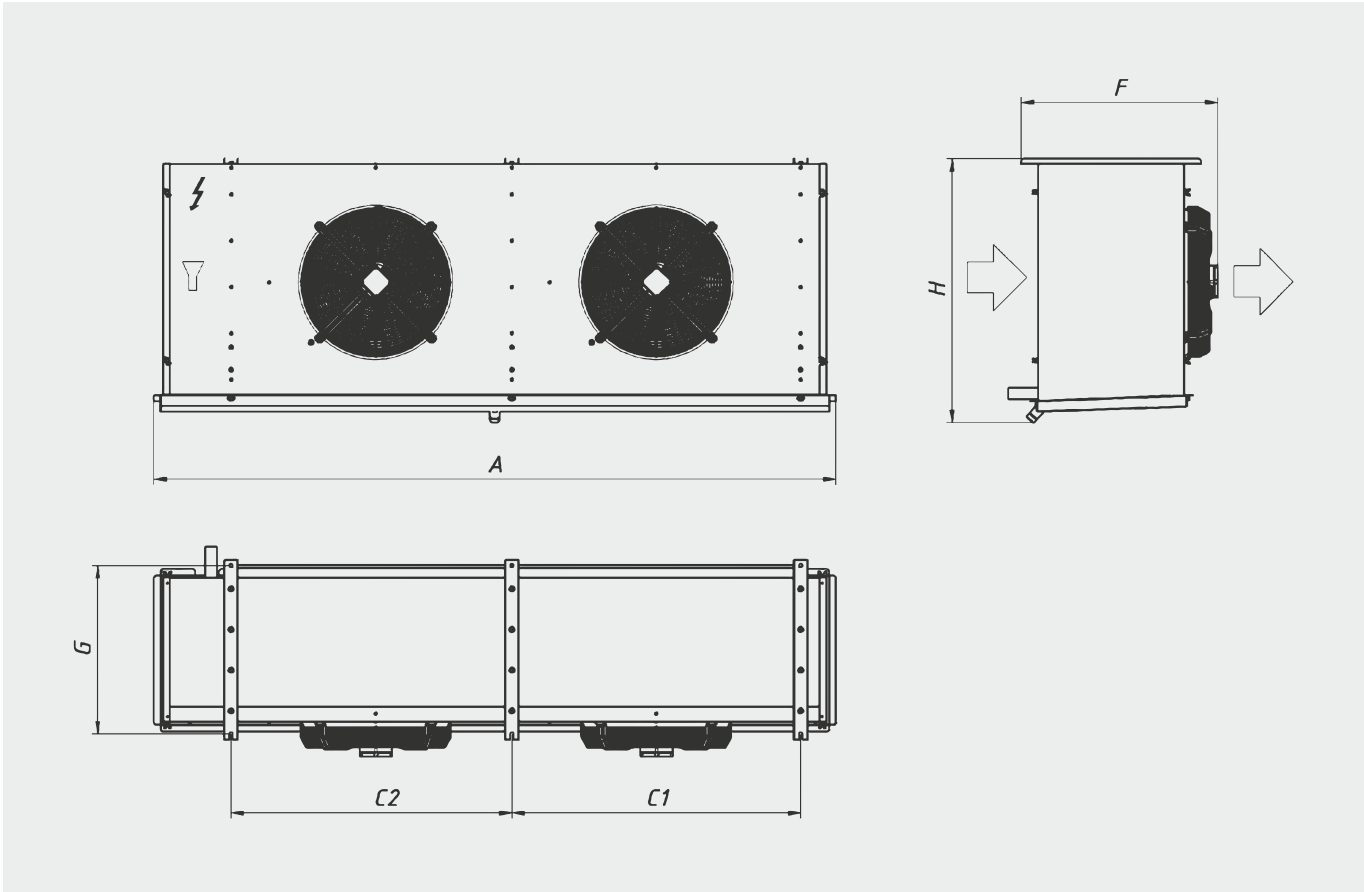
Fin spacing = 7 mm	Model	Capacity							Area (m ²)	Volume (dm ³)	Fans					Weight (kg)
		Standard Conditions EN328 R404A			Propylene Glycol 30% DP=50 kPa Tc=0°C T _{IN Glycol} =-10°C		Standard Conditions EN328 R744 (CO ₂)				Air throw (m)	Air Flow (m ³ /h)	N° x Ø	A	W	
		SC1 (kW)	SC2 (kW)	SC3 (kW)	P (kW)	Q (l/h)	SC2 kW	SC3 kW								
LC136B	18,2	12,5	10,0	12,0	3.500	15,9	12,7	10,5	53,0	14,4	49	7.900	1 x 500	1,4	720	78
LC165B	22,1	15,1	12,1	16,1	6.550	18,4	14,7	12,1	70,7	18,8	47	7.500	1 x 500	1,4	720	89
LC271B	36,5	25,0	20,0	22,1	7.800	32,0	25,6	21,1	106,0	27,5	49	15.800	2 x 500	2,8	1.440	143
LC329B	44,2	30,3	24,2	27,7	10.150	30,3	24,2	20,0	141,4	36,6	47	15.000	2 x 500	2,8	1.440	166
LC407B	54,7	37,4	29,9	31,5	12.200	47,5	38,0	31,4	159,1	41,2	49	23.700	3 x 500	4,2	2.160	214
LC494B	66,3	45,4	36,3	39,5	16.200	55,0	44,0	36,3	211,6	54,4	47	22.500	3 x 500	4,2	2.160	248
LC542B	72,9	49,9	39,9	36,1	10.000	64,2	51,4	42,4	212,1	54,6	49	31.600	4 x 500	5,6	2.880	282
LC559B	77,9	53,3	42,6	42,4	17.750	62,8	50,2	41,4	207,9	46,3	50	31.000	2 x 630	6,8	3.940	275
LC658B	88,5	60,6	48,4	45,3	12.700	74,3	59,4	49,0	282,8	72,2	47	30.000	4 x 500	5,6	2.880	329
LC665B	89,6	61,3	49,0	53,5	23.500	72,9	58,3	48,1	277,1	61,8	48	29.600	2 x 630	6,8	3.940	322
LC841B	116,9	80,1	64,0	55,3	12.900	92,9	74,3	61,3	311,8	69,5	50	46.500	3 x 630	10,2	5.910	395
LC995B	135,3	92,6	74,1	65,0	17.250	107,5	86,0	71,0	415,7	92,7	48	44.400	3 x 630	10,2	5.910	465
LC1113B	154,7	105,9	84,7	-	-	124,0	99,2	81,8	415,7	92,7	50	62.000	4 x 630	13,6	7.880	519
LC1325B	180,0	123,2	98,6	-	-	-	-	-	554,3	123,6	48	59.200	4 x 630	13,6	7.880	602
LC1591B	217,8	149,1	119,3	-	-	-	-	-	692,8	154,5	48	74.000	5 x 630	17,0	9.850	746

Fin spacing = 10 mm	Model	Capacity						Area (m ²)	Volume (dm ³)	Fans					Weight (kg)
		Standard Conditions EN328 R404A			Standard Conditions EN328 R744 (CO ₂)					Flecha aire (m)	Air Flow (m ² /h)	N° x Ø	A	W	
		SC2 (kW)	SC3 (kW)	SC4 (kW)	SC2 kW	SC3 kW	SC4 kW								
LC119C	11,0	8,8	7,2	14,5	11,6	9,6	38,5	14,4	50	8.200	1 x 500	1,4	720	74	
LC144C	13,3	10,6	8,8	17,0	13,6	11,2	51,3	18,8	50	7.700	1 x 500	1,4	720	84	
LC238C	21,9	17,5	14,5	29,1	23,3	19,2	76,9	27,5	50	16.400	2 x 500	2,8	1.440	137	
LC289C	26,6	21,3	17,6	34,1	27,3	22,5	102,6	36,6	50	15.400	2 x 500	2,8	1.440	158	
LC357C	32,9	26,3	21,7	43,1	34,5	28,5	115,4	41,2	50	24.600	3 x 500	4,2	2.160	204	
LC433C	39,9	31,9	26,4	50,5	40,4	33,3	153,4	54,4	50	23.100	3 x 500	4,2	2.160	235	
LC476C	43,8	35,1	29,0	58,5	46,8	38,6	153,9	54,6	50	32.800	4 x 500	5,6	2.880	269	
LC472C	44,6	35,7	29,5	56,6	45,3	37,4	150,8	46,3	51	31.600	2 x 630	6,8	3.940	262	
LC578C	53,2	42,5	35,1	68,1	54,5	45,0	205,2	72,2	50	30.800	4 x 500	5,6	2.880	312	
LC576C	53,9	43,1	35,6	66,9	53,5	44,1	201,1	61,8	50	30.200	2 x 630	6,8	3.940	300	
LC745C	68,0	54,4	44,9	83,1	66,5	54,9	226,2	69,5	51	47.400	3 x 630	10,2	5.910	376	
LC857C	79,4	63,5	52,5	98,6	78,9	65,1	301,6	92,7	50	45.300	3 x 630	10,2	5.910	505	
LC955C	90,0	72,0	59,5	111,4	89,1	73,5	301,6	92,7	51	63.200	4 x 630	13,6	7.880	493	
LC1167C	108,1	86,4	71,4	-	-	-	402,2	123,6	50	60.400	4 x 630	13,6	7.880	568	
LC1412C	132,5	106,4	87,6	-	-	-	502,7	154,5	50	75.500	5 x 630	17,0	9.850	703	

LC

Codification Description

LC	W	136	B	E
↑	↑	↑	↑	↑
Range	Refrigerant Ø = HFC C = CO ₂ W = Glycol	Model	Fin spacing A = 4,5 mm B = 7 mm C = 10 mm	Defrost E = Electric P = Enhancing G = Hot gas Ø = Without Defrost



Model	Defrost		Connection		Drain pipe (Inches)	Dimensions							
	Normal (kW)	Enhancing (kW)	IN (Inches)	OUT (Inches)		C1 (mm)	C2 (mm)	G (mm)	F (mm)	H (mm)	A (mm)		
LC173A	LC136B	LC119C	6,0	9,0	7/8"	1-3/8"	1"	1.030	601	725	942	1.431	
LC210A	LC165B	LC144C	8,0	12,0	7/8"	1-3/8"	1"	1.030	601	725	945	1.431	
LC347A	LC271B	LC238C	12,0	18,0	1-3/8"	1-5/8"	1"	1.030	1.000x1	601	725	945	2.431
LC421A	LC329B	LC289C	16,0	24,0	1-3/8"	1-5/8"	1"	1.030	1.000x1	601	725	945	2.431
LC520A	LC407B	LC357C	15,0	22,5	1-3/8"	1-5/8"	1-1/2"	1.030	1.000x2	601	725	945	3.431
LC631A	LC494B	LC433C	20,0	30,0	1-3/8"	1-5/8"	1-1/2"	1.030	1.000x2	601	725	945	3.431
LC694A	LC542B	LC476C	20,0	30,0	1-3/8"	1-5/8"	1-1/2"	1.030	1.000x3	601	725	945	4.431
LC842A	LC658B	LC578C	26,6	40,0	1-3/8"	1-5/8"	1-1/2"	1.030	1.000x3	601	725	945	4.431
	LC559B	LC472C	20,3	27,1	1-3/8"	2-1/8"	1-1/2"	1.400	1.400x1	743	1.054	1.326	3.259
LC755A	LC665B	LC576C	22,6	31,6	2x 1-3/8"	2-5/8"	1-1/2"	1.400	1.400x1	743	1.054	1.326	3.259
LC976A	LC841B	LC745C	24,5	35,0	2x 1-3/8"	2-5/8"	1-1/2"	1.400	1.400x2	743	1.054	1.326	4.659
LC1131A	LC995B	LC857C	35,0	49,0	2x 1-3/8"	2-5/8"	1-1/2"	1.400	1.400x2	743	1.054	1.326	4.659
	LC1113B	LC955C	41,3	55,1	2x 1-3/8"	2-5/8"	1-1/2"	1.400	1.400x3	743	1.054	1.326	6.059
LC1478A	LC1325B	LC1167C	41,3	59,7	2x 1-3/8"	2-5/8"	1-1/2"	1.400	1.400x3	743	1.054	1.326	6.059
	LC1591B	LC1412C	57,1	80,0	2x 1-3/8"	2-5/8"	1-1/2"	1.400	1.400x4	743	1.054	1.326	7.459

I-CO-12.4-LC